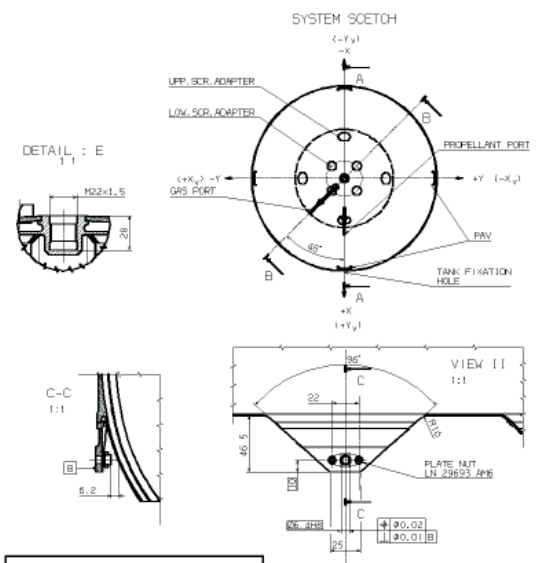
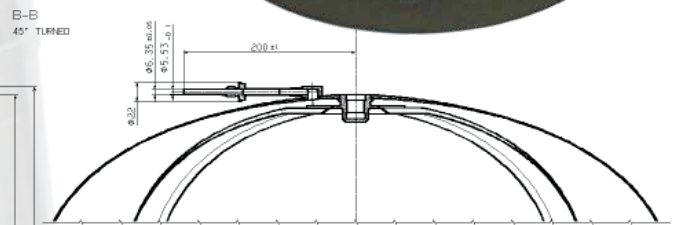
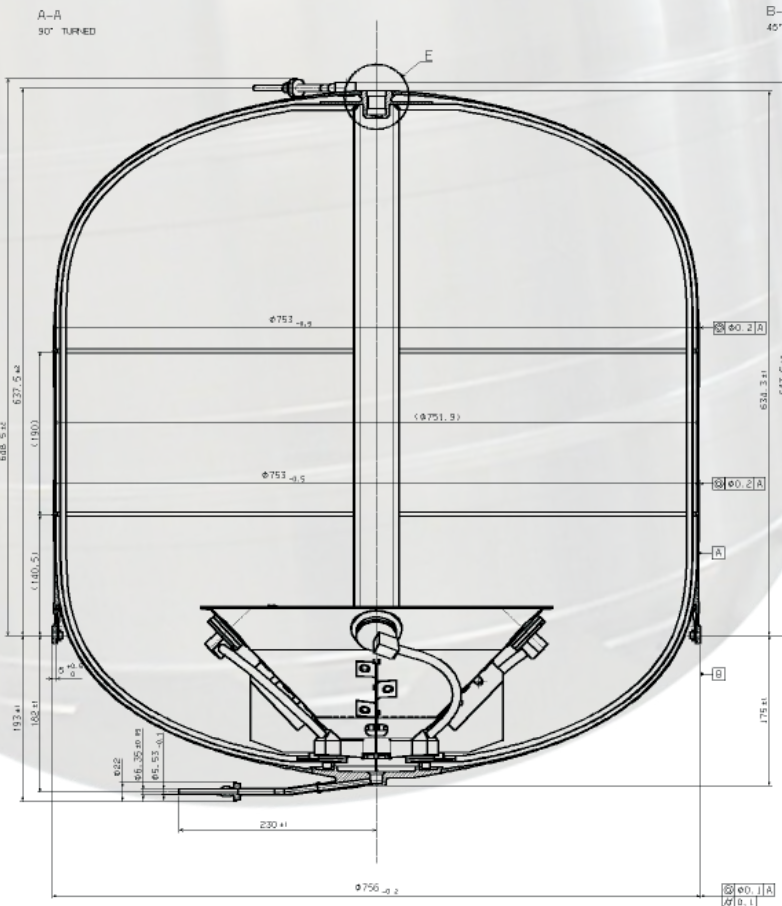


SURFACE TENSION PROPELLANT TANK OST 25/0

Surface Tension Propellant Tank OST 25/0

Net Volume Range:	198 Litres / 282 Litres / 331 Litres
Propellants	MON respectively MMH
Geometrical Shape	Cassini with a cylindrical intersection
Maximum Expected Operating Pressure (MEOP)	18.6 bar
Proof Pressure (1.5 x MEOP)	27.9 bar
Burst Pressure (2.0 x MEOP)	37.2 bar
Interface Fixation	12 Suspension Tabs with floating nuts M6 x 1 (e.g.)
Materials	Ti6Al4V STA (3.7164.7) Ti6Al4V (3.7164.1) Ti99.4 (3.7034.1) and Ti6Al4V (3.7164.1) 304L (1.4306); qualified also for Ti99.4 (3.7025.1)
Tank Mass	21.0 kg
Project Involvement	AMOS 2



Maximum Tank Dimension						
	0 bar	12.8bar	18.6bar	22.0bar	27.2bar	37.2bar
Ph 1	643.545	645.7	646.7	647.3	650.0	
Ph 2	175.04	176.5	177.2	177.6	178.5	
Ø d1	751.0	754.4	756.1	755.5	757.2	
Ø d2	751.06	753.0	753.8	754.4	756.6	
Ø d3	751.0	754.4	756.0	755.3	757.0	
Mass	≤ 21.0kg					

MATERIALS :
 DOME : 3.7164.7
 INTERMED RING : 3.7164.7
 SUSPENSION : 3.7164.1
 SHIF BOTTOM : 3.7164.7
 PORTS 1 (1/2") : 3.7164.1

3) CENTER OF GRAVITY
 2) ORIGIN OF COORDINATES
 1) ALL DIMENSION IN UNPRESSURIZED CONDITION