

ARCLIGHT

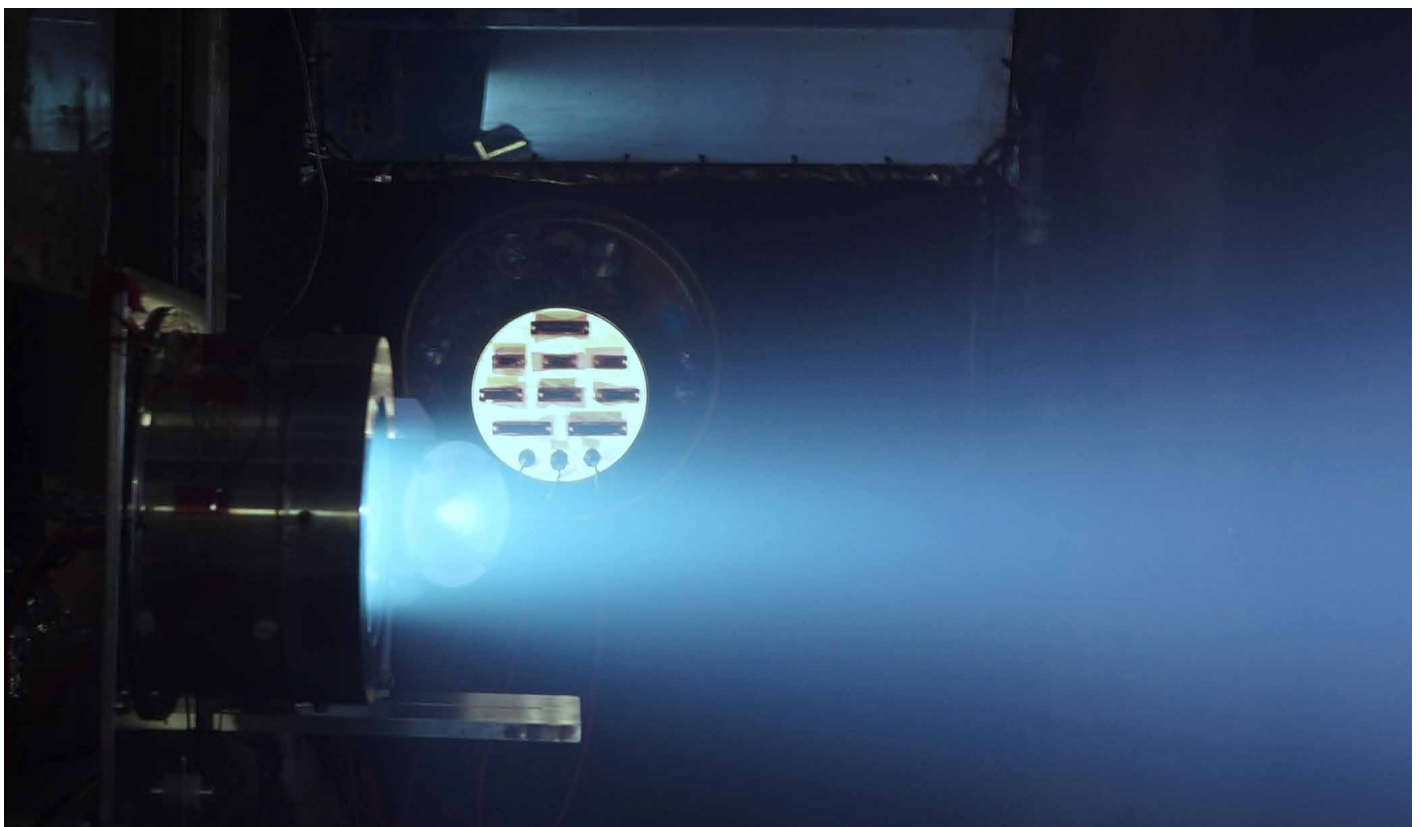
ELECTRIC PROPULSION SYSTEM DESIGNED FOR SMALL SATELLITES

ARCLIGHT MAIN FEATURES

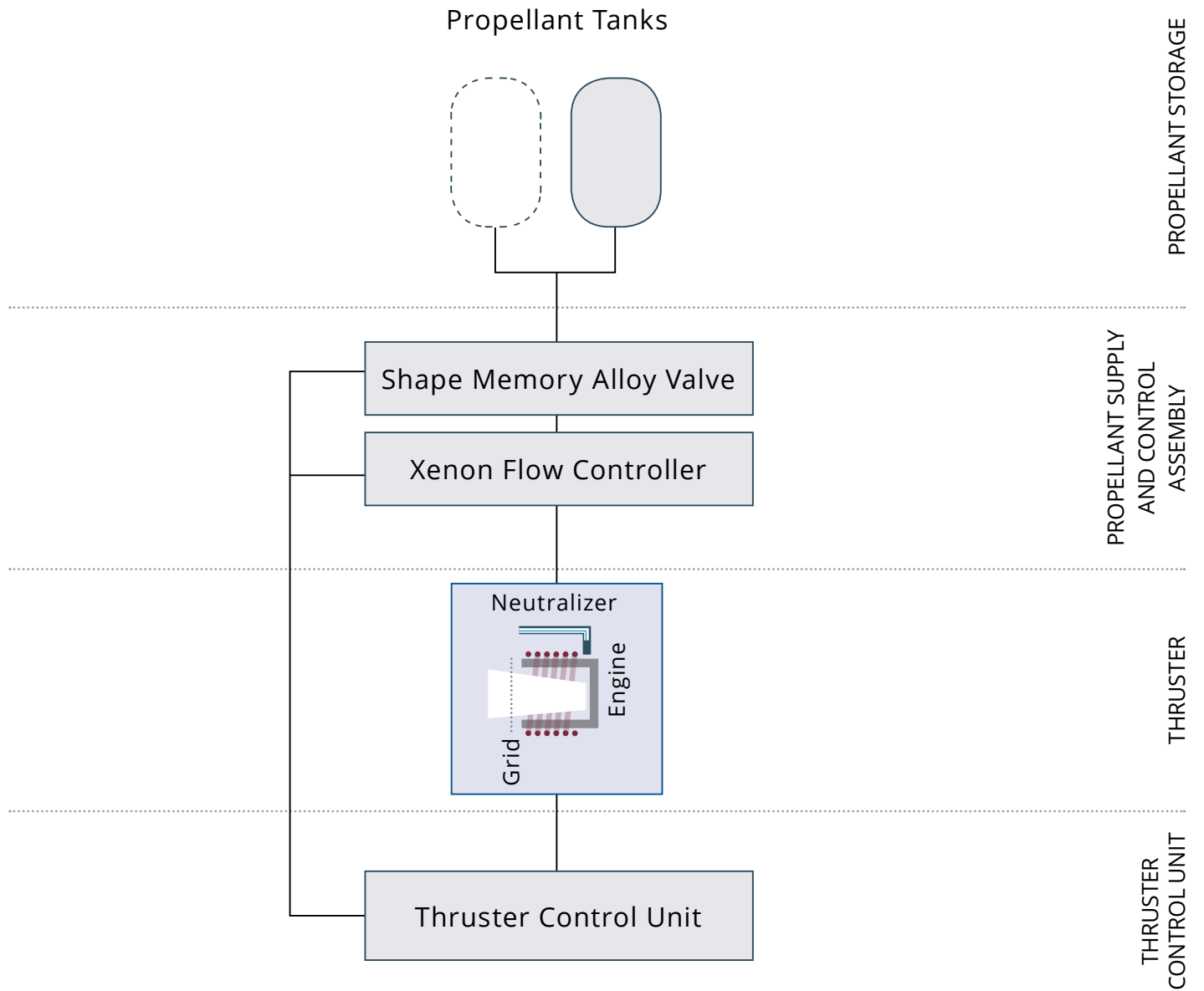
Arclight is a high performance electric propulsion system for low-cost space missions. It is based on the space proven Radiofrequency Ion Technology (RIT) which is characterized by low complexity, highest specific impulse and narrow beam divergence.

- › Simple system with one string and one function point
- › Highly integrated electronic
- › Optimized for small satellites and mega constellations
- › Designed for industrialized production
- › Short lead times

Performance	
Total impulse	210+ kNs
Thrust	> 12 mN
Specific Impulse System	2400+ s
Electrical Power	< 400 W
Lifetime (in-orbit)	5.5 years
Dry Mass	10-12kg
Propellant	Xe



ARCLIGHT FLOW SCHEMATIC



#spaceenablers

www.ariane.group



ARIANEGROUP

ORBITAL PROPULSION
ROBERT-KOCH-STRASSE 1
82024 TAUFKIRCHEN
GERMANY

SUSANA CORTÉS BORGMEYER
SUSANA.CORTES-BORGMEYER@ARIANE.GROUP
PHONE: +49 (0)89 6000 29244
WWW.SPACE-PROPULSION.COM